

Warnings!

1. Please change any protection screen broken! The light can never be installed on the flammable material.
2. Please avoid burning your hands when the temperature on the surface of the light reaches 250 °C .
3. The light must work according to the prescribed power supply voltage & please cut off the power when changing the bulb!

Studio Profile ZOOM

Don't include any power supply insert, please follow the technician's advice when installing.

• **Studio Profile ZOOM** •

Imaging Light Use Instructions

I. General Introduction

This light, using the technology introduced from USA, the light body adopts the high-pressed cast aluminum shell of high quality that has beautiful & graceful shape & excellent heat dissipation, with the assistance of the infrared penetrateable reflector bowl, the temperature around the bulb is reduced, resulting in prolonging the life of the bulb.

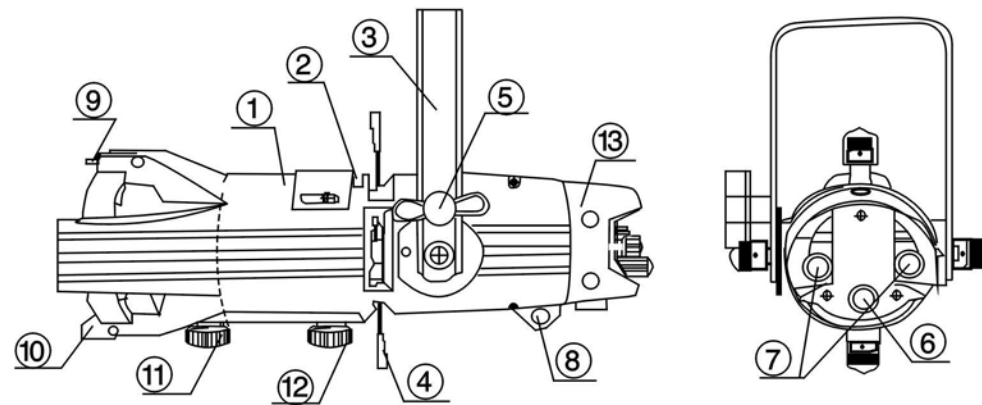
On the other hand, a brand-new technology has been applied on this product. They can be easily regulated to produce light spots with a lighting angle of 250-500, without changing the lens. The light spots are even in luminance and have a clear edge. Since the lighting angle can be adjusted easily, the lamps are widely used for spotlighting in the major parts, for producing top light and for making an overall or partial background illuminating. They can also be used as effect lights for special modeling. This product can be used for practical purposes and is easy to operate. With a reliable and durable design, they are the ideal lamps for the modern stage.

II. Specs & Technical Characteristics

Power Supplies	AC230V 50/60Hz
Power	575W
Weight	Approx 6Kg
Lamp Model	G9.5

1

III. The Light Shape



- 1. Front Drawtube
- 2. Effect Flake Fixed Slot
- 3. Suspension Loop
- 4. Lighting Adjustment Flake
- 5. Nut for Suspension Loop
- 6. Bulb Adjustment Screw
- 7. Screw For Lamp Holder
- 8. Assisting Hanging Point
- 9. Color Flake Calipers
- 10. Color Flake Frame
- 11. Front Focus Scaling Knob
- 12. Back Focus Scaling Knob
- 13. Lamp Holder

2

IV. Use & Operation

Please choose the pin-inserting type of HPL575W G9.5 for bulbs.

Warning! Using a bulb with an excessive power will reduce the lifespan of the lamp.

1. Installing the blub

The bulb should be installed before using the lamp. (Bulbs damaged or deformed by heat must be replaced.)

1) Disconnect the power first before installing or replacing the bulb.

Caution! Let the bulb get cool before replacing it.

2) Turn down the screw at the back of the lamp holder seat and pull out the lamp holder seat vertically.

3) Hold the bottom of the bulb when taking the bulb out from the packing box.

Caution! In order to prevent the lamp from being damaged too early, please don't touch the glass of the bulb. If this is done carelessly, please clean it carefully with ethanol and thin cotton cloth before using.

4) Insert the pins of the bulb into the socket of the lamp holder, until the bulb is stably fixed.

Warning! Incorrect installation of the bulb will cause damage of the lamp too early.

5) Reinstall the lamp holder seat and fasten the fixing screw of the lamp holder seat.

2.The adjustment of the bulb

The position of the light focus can be regulated by bulb regulating screw at the back of the lamp holder seat. Adjustment is done by turning the bulb regulating screw left or right until the light spots reaches their most brightness.

Caution! Let the lamp on when adjusting the bulb.

3.The adjustment of the focus of the light beam

The CL-ZOOM features its lighting angle being adjustable. The diameter of the light beam can be enlarged or reduced by adjusting the position of the lens. The range of change is 250-500.

1) Turn loose the front and back focus-changing knob below the lamp barrel.

2) Slide the lens forward or backwards to get the desired light beam edge.

3) Fasten the front and back focus-changing knob after the focus of the light beam is adjusted properly.

4. Installing the design flake

If wanting to get the effect of the design, you must firstly make the design flake showing inverse images. Loosen the nut for the effect flake fixed slot, then insert the design flake. Turn on the light, adjust front focus scaling knob and back focus scaling knob, until getting the clearest design.

5. Installing the color flake

If wanting colors, please clip the color flake with the color flake clip, open the Color Flake Calipers & then insert the color flake.

V. Cleaning The Lens

Notes! If the surface of the lens has been damaged obviously, please change the lens.

Warning! Never use any detergent for glasses or windows, or the rigid cloth to clear the lens, because the detergent for glasses or windows can pollute the surface of the lens & the rigid cloth can damage the surface of the lens.

The proper means is to wet a piece of clear cloth with soft nap with vinegar or home-use ammonia to clear the lens from the center, also with water, but there will be stains left by the water, which can be wiped off slightly with a piece of clear cloth.

VI. Notes

1. Before use, please check the light whether there are any damages or loosening screws resulting from the transportation.
2. Insert the bulb after confirming the power supply is disconnected, never touch the glass part of the bulb directly.
3. Please install the light in the surroundings below 45 °C & with good ventilation, and also keep the vent expedite.
4. Keep the light 50 cm away from the flammable object & the light should be grounded appropriately.
5. If some obvious damages see on the lens of the light, e.g. cracks or deep traces happen, please change the lens; if the bulb is damaged or deformed, please change it.
6. Never use the light out of the prescribed technical conditions.
7. The installing, cabling, adjusting or checking of the light should be operated with the power supply disconnected & by the technician.
- 8) The user cannot make bold to modify the light, otherwise, he (she) must bear the responsibilities caused.

Guarantees

The light is precisely designed & can bring its excellent functions into play in the case of proper use & maintenance. The Company offers free repair service if some damages resulting from production techniques or component errors for a year since the purchase & life-long maintenances are available.

Guarantee Terms

The guarantee of repair can be effective under the condition of proper use. All factitious damages, such as connecting the improper power supply, using improper parts, using without following the use manual, damages resulting from transportation or other accidents, repairing or modifying without getting the permission of the Company, damages caused by improper use or negligence, improper installation & so on, are out of the range of the guarantee. This guarantee service does not include accessories, assistant devices, transportation fee & fee of follow-up customer services.

Please feel free to contact us if you meeting questions or doubts hard to solve.

- The Company reserves the right to modify the specs of the product.